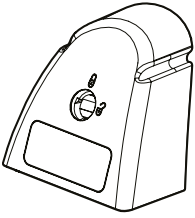
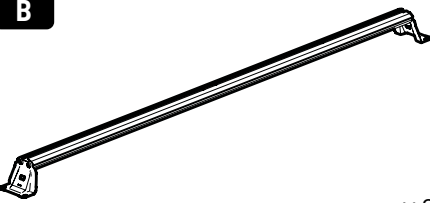
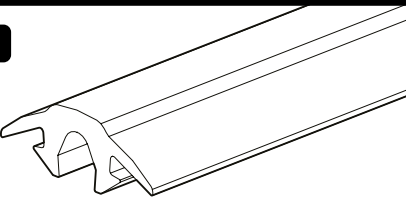


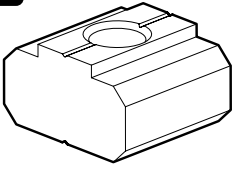
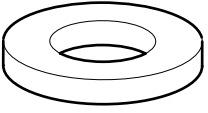
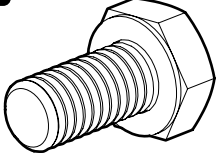
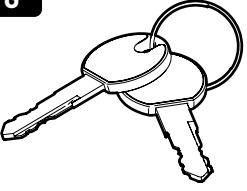
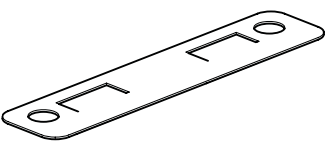
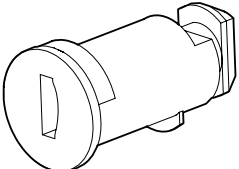

MOUNTAIN TOP® CARGO CARRIER

Installation manual

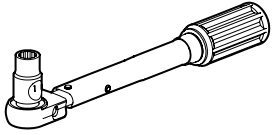
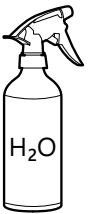
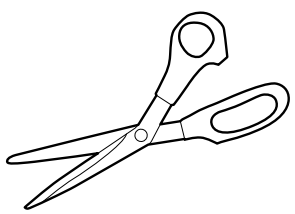
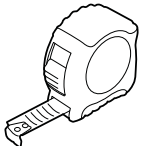
Parts

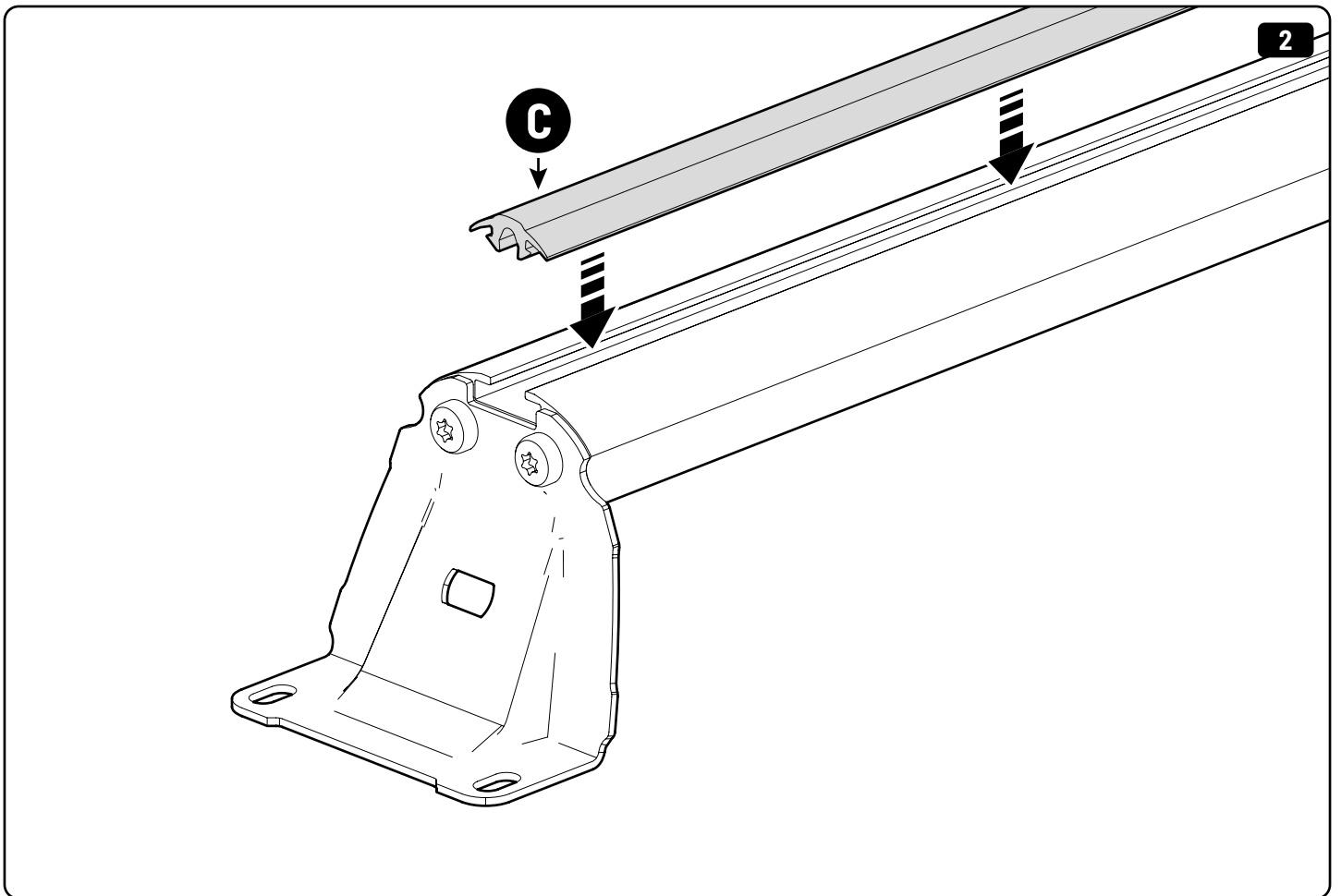
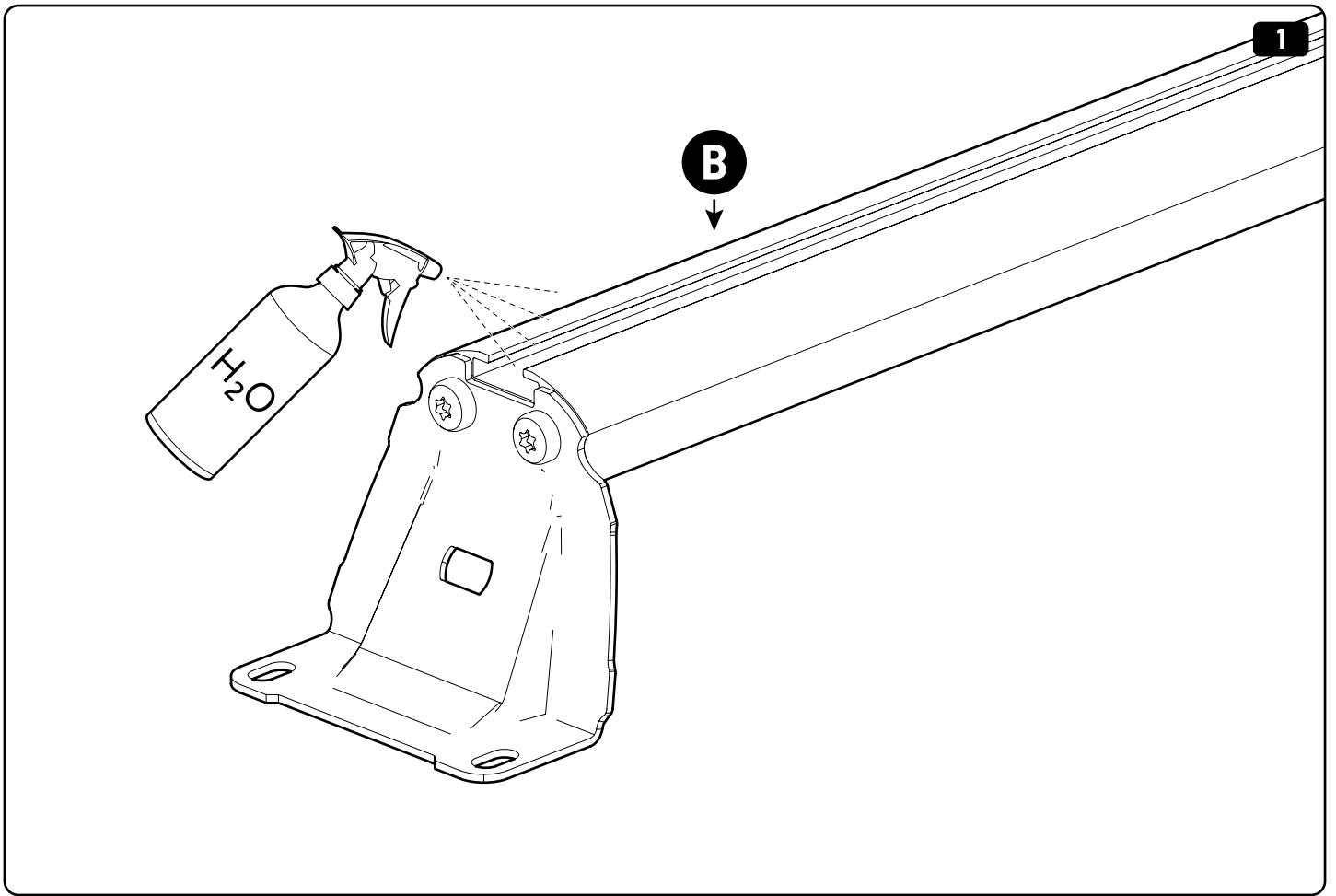
A		x 4
B		x 2
C		x 2

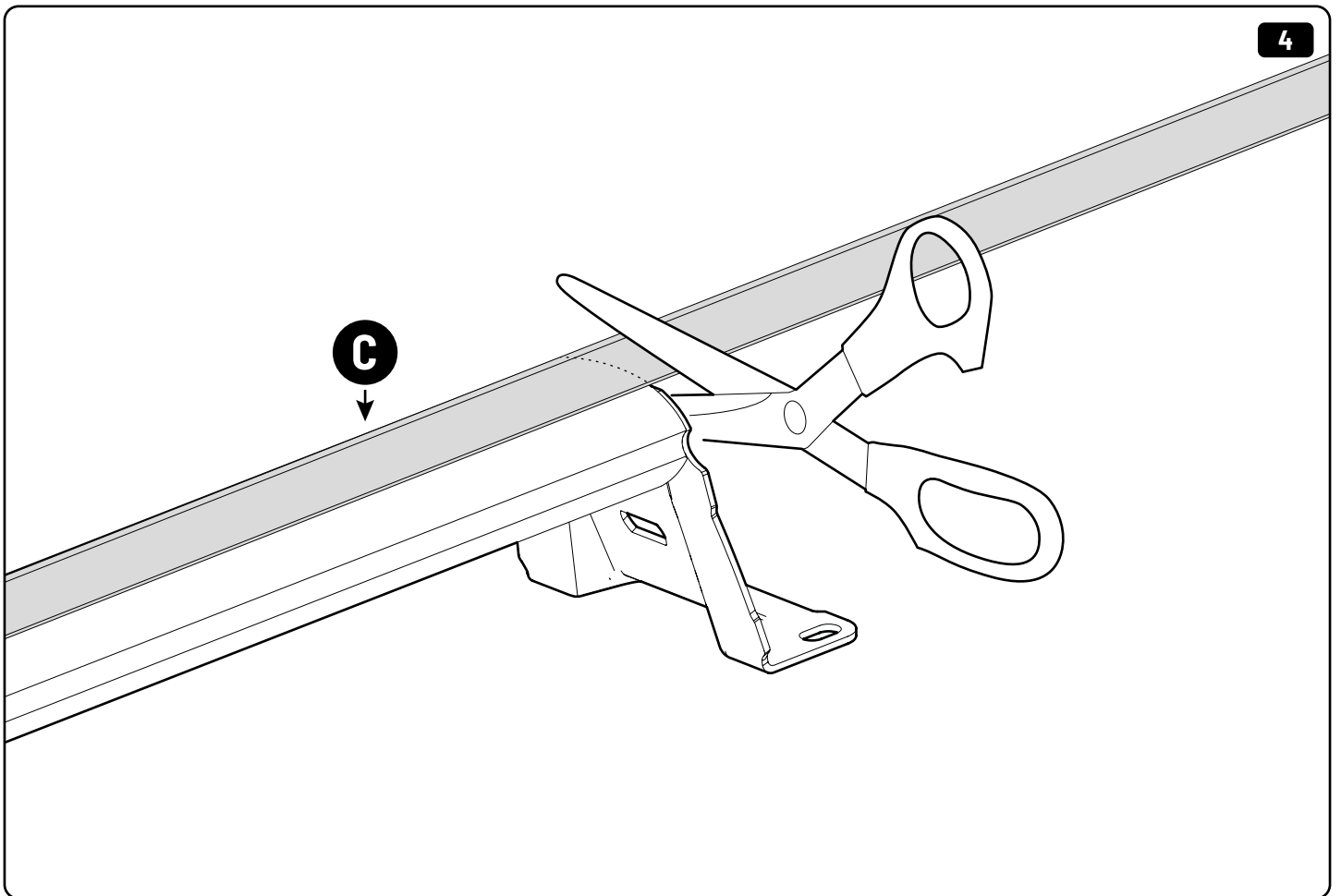
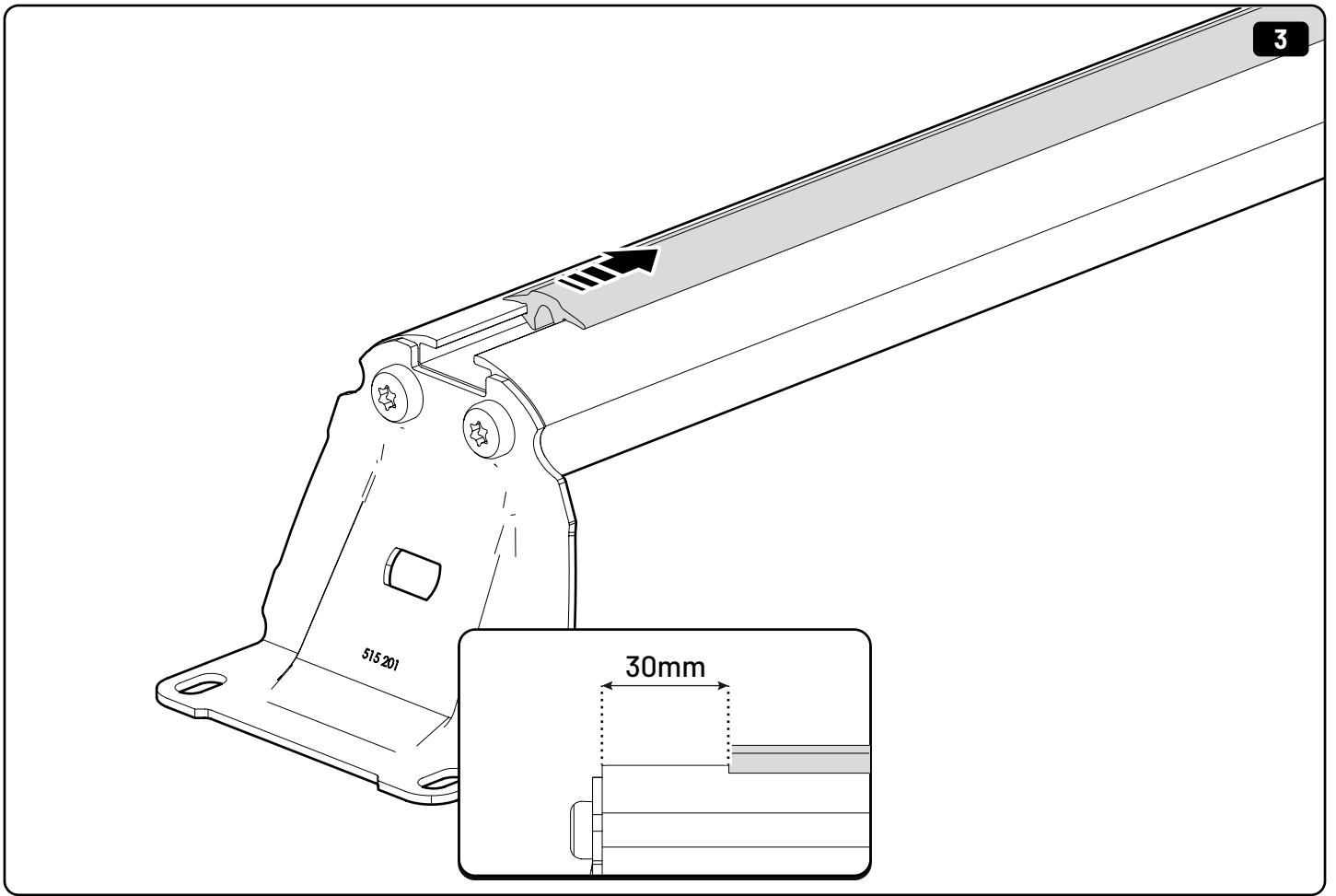
Parts

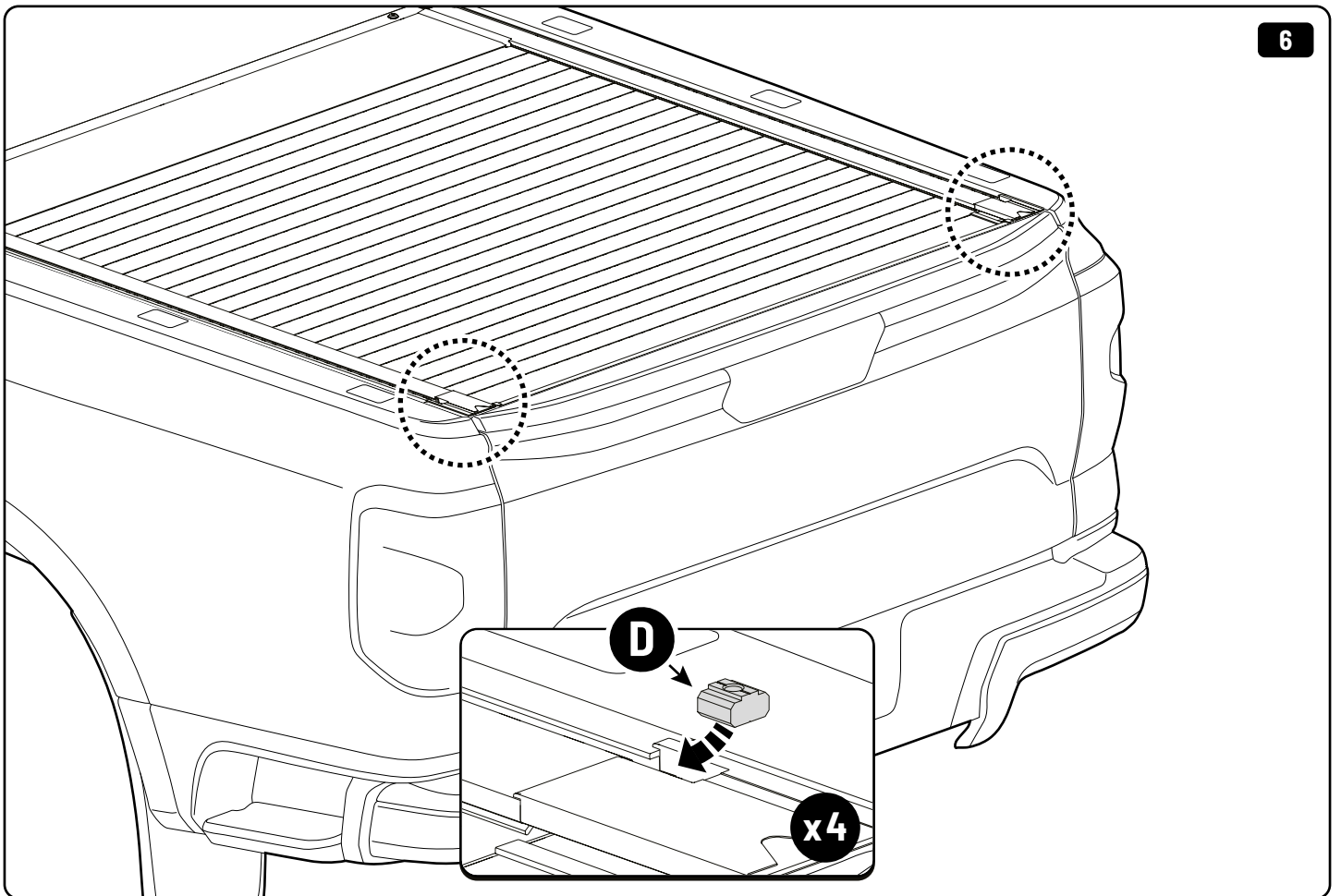
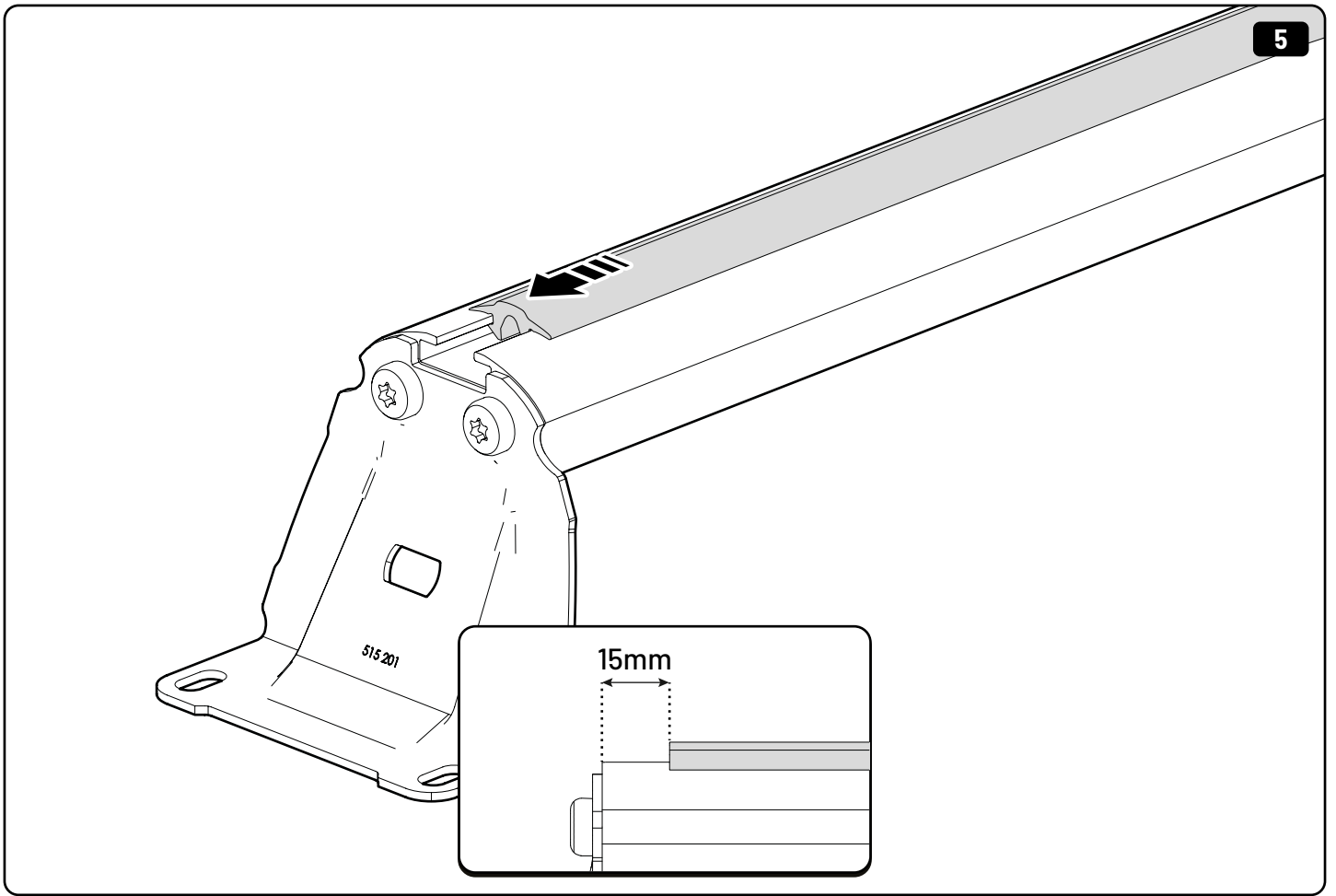
D		x 8		
E		M6		
F		x 8		
M6x12	x 8	G		x 2
H		x 4		
I		x 4		
J		x 1		

Parts

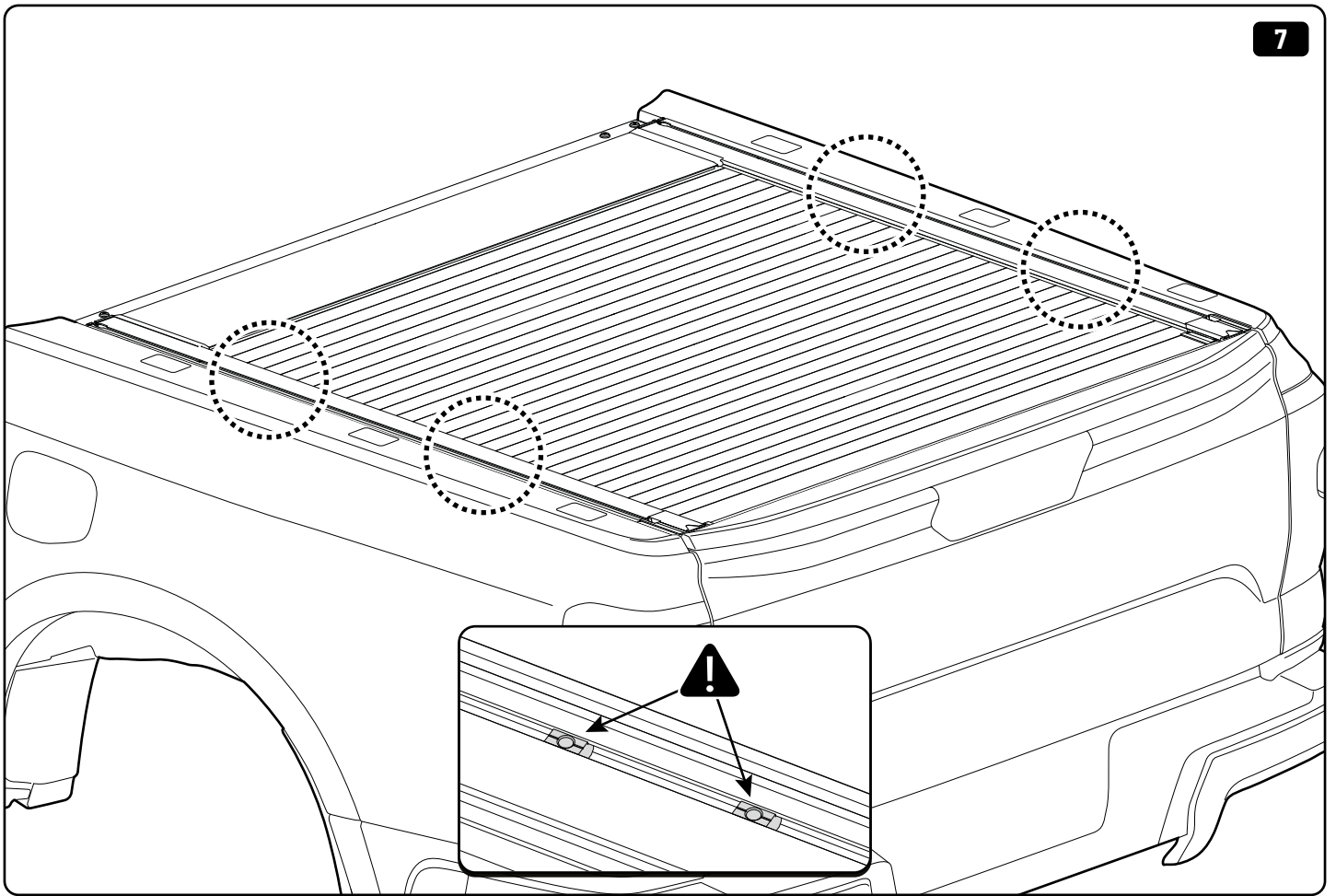
1 - 25 Nm		10 mm
		



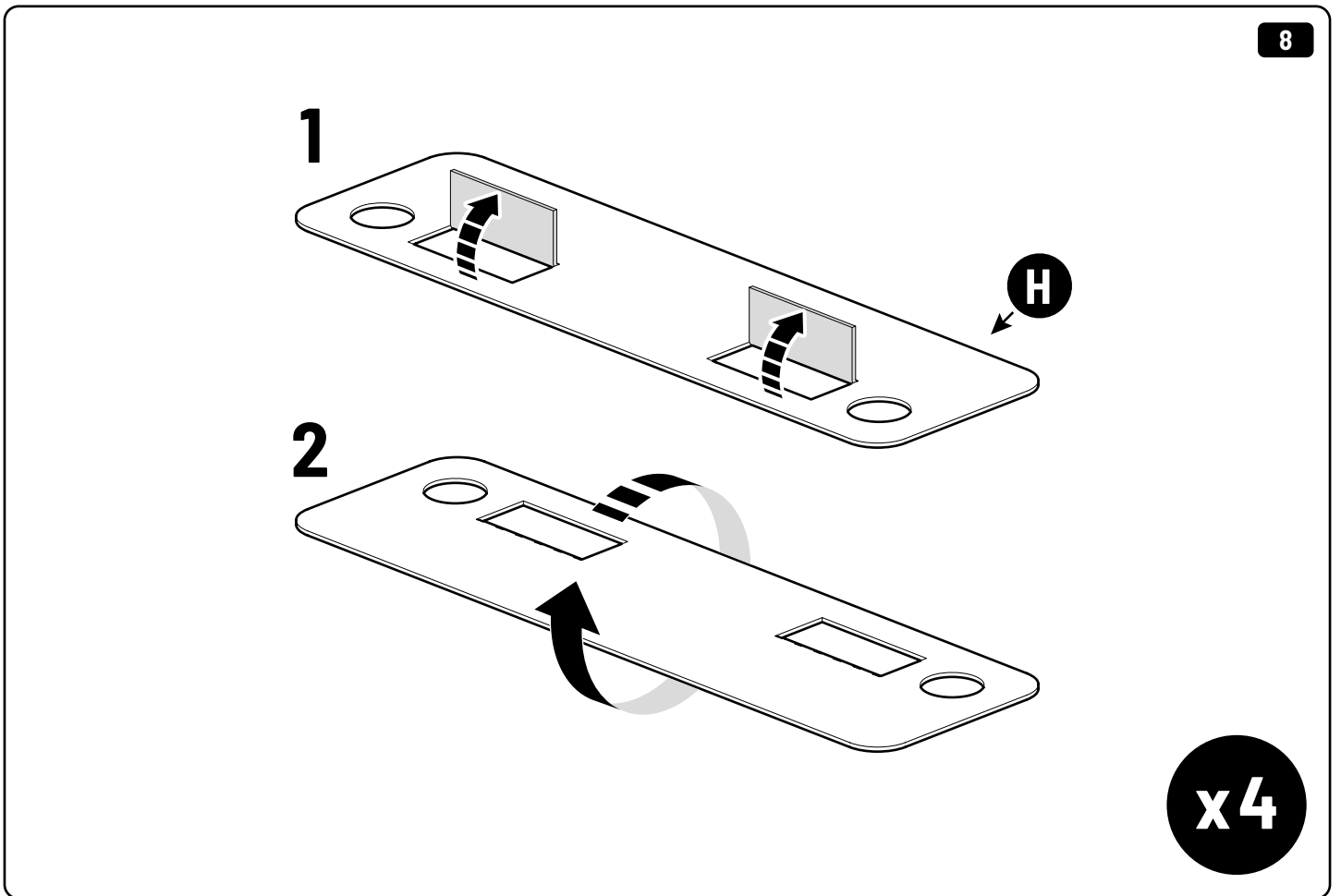


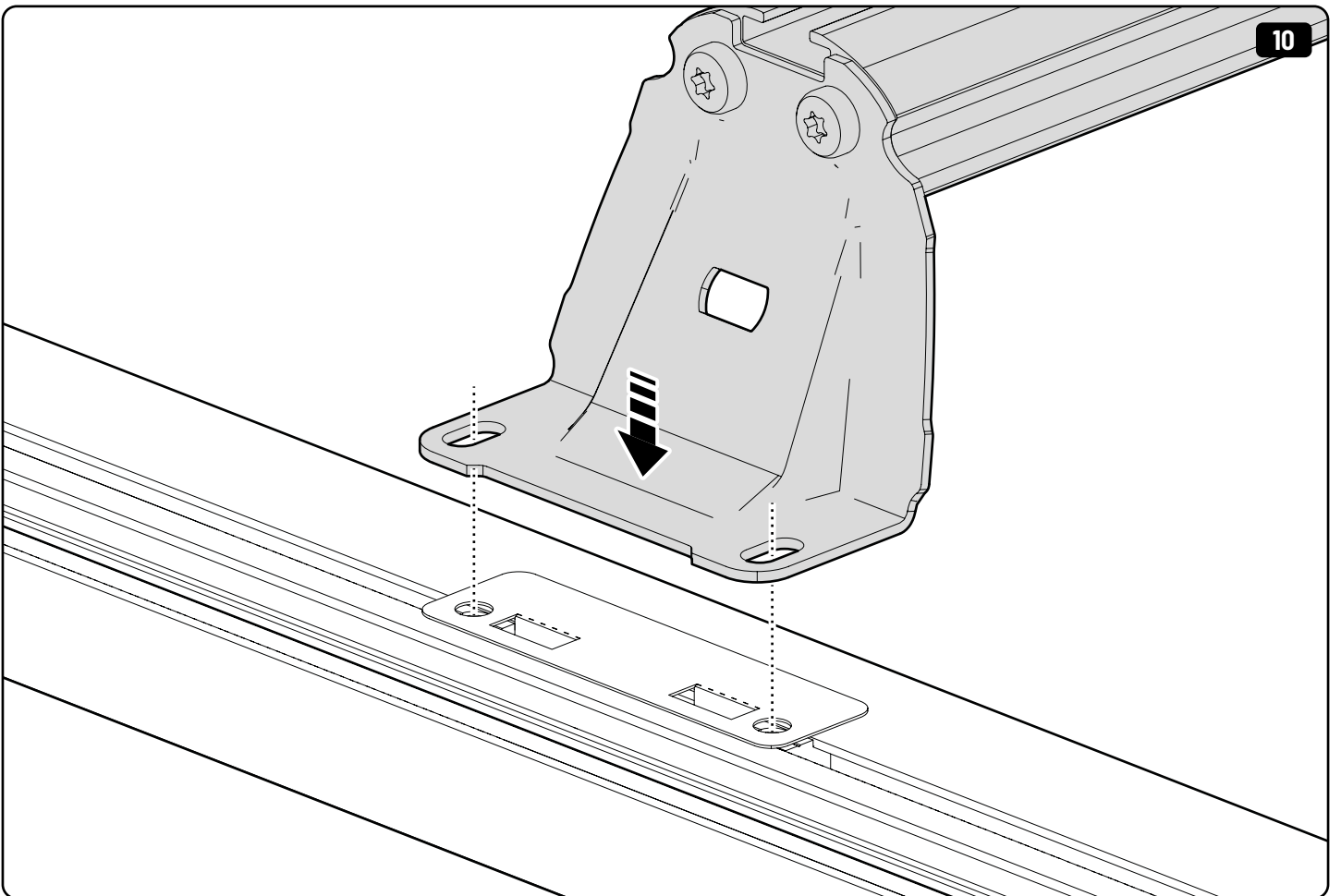
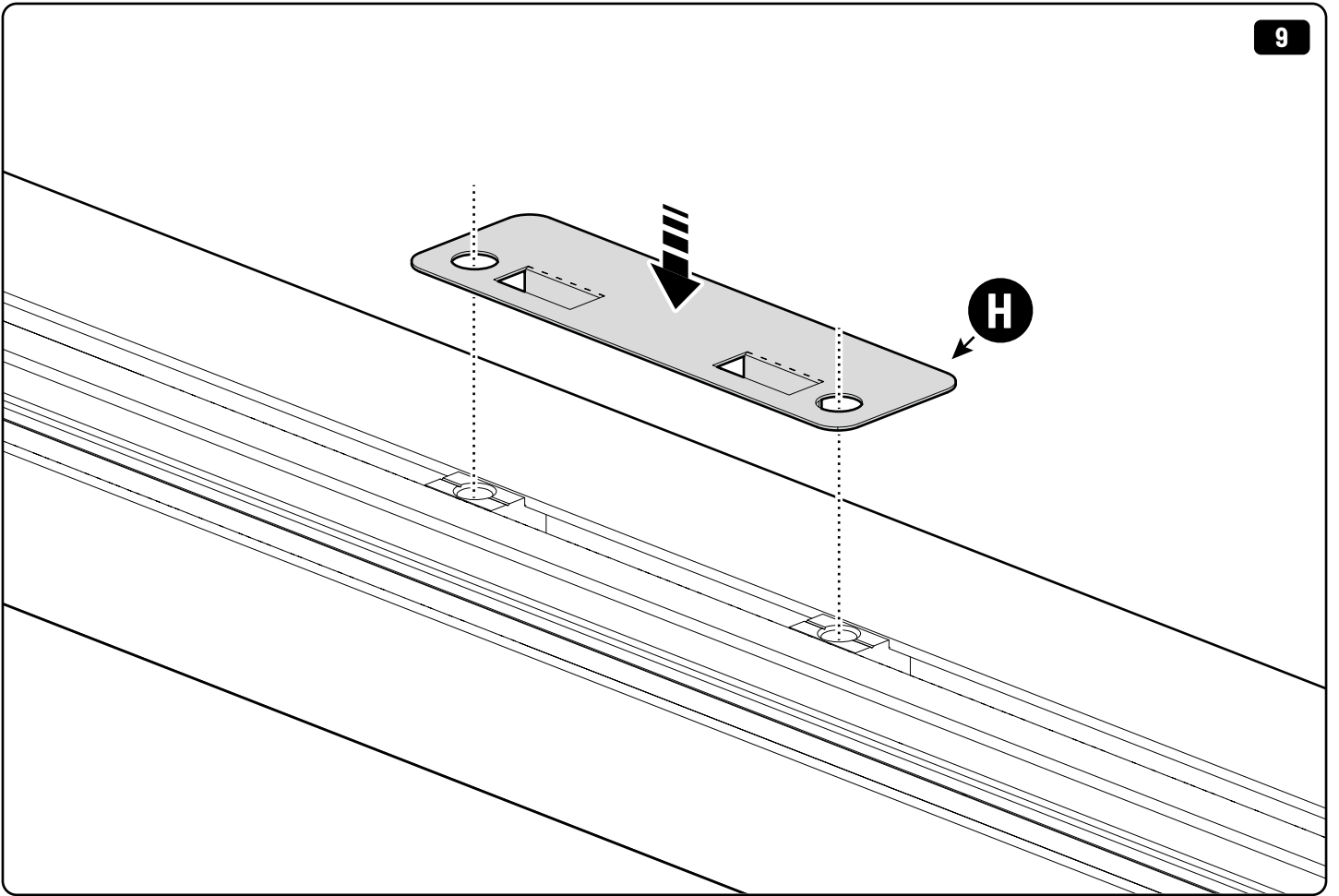


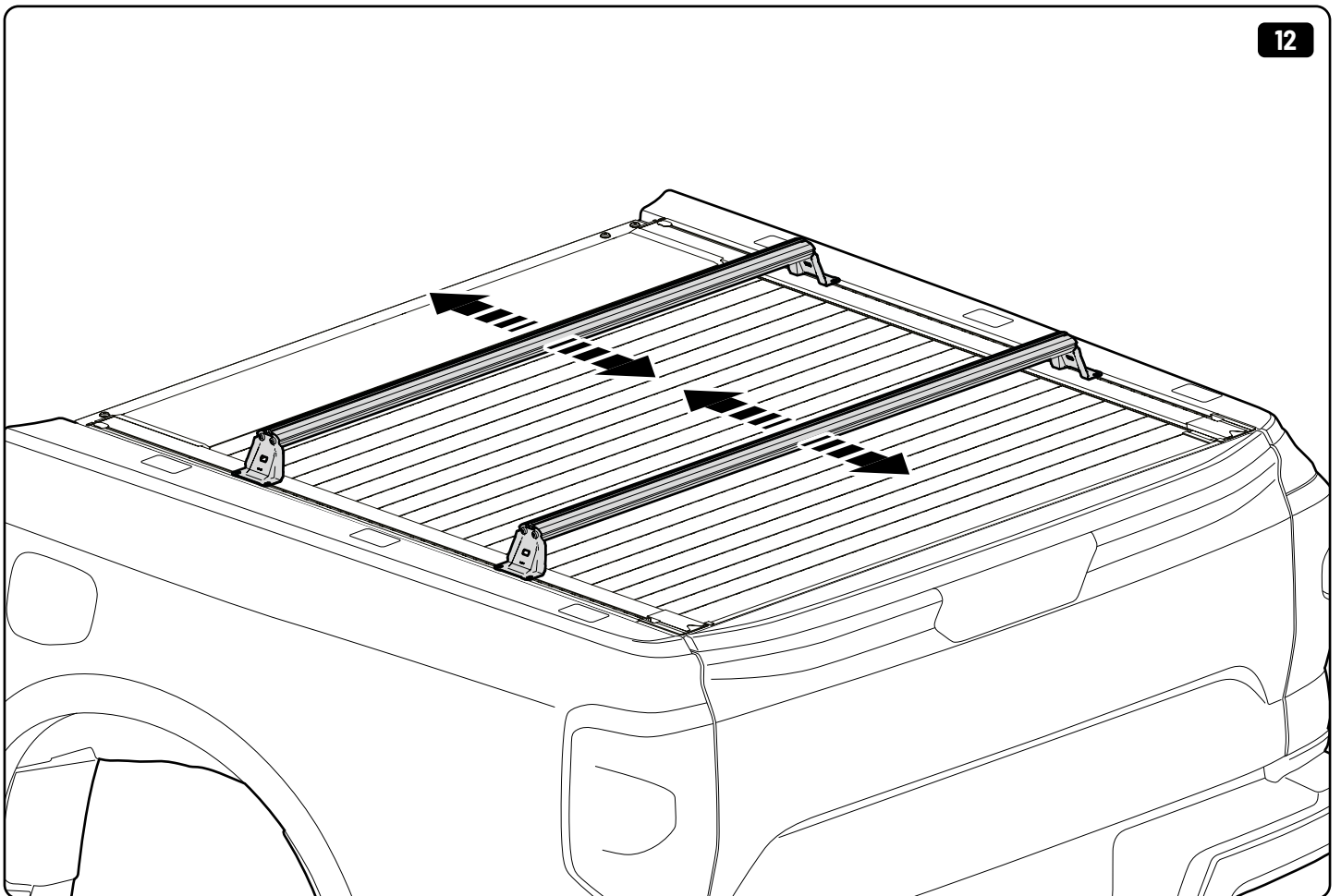
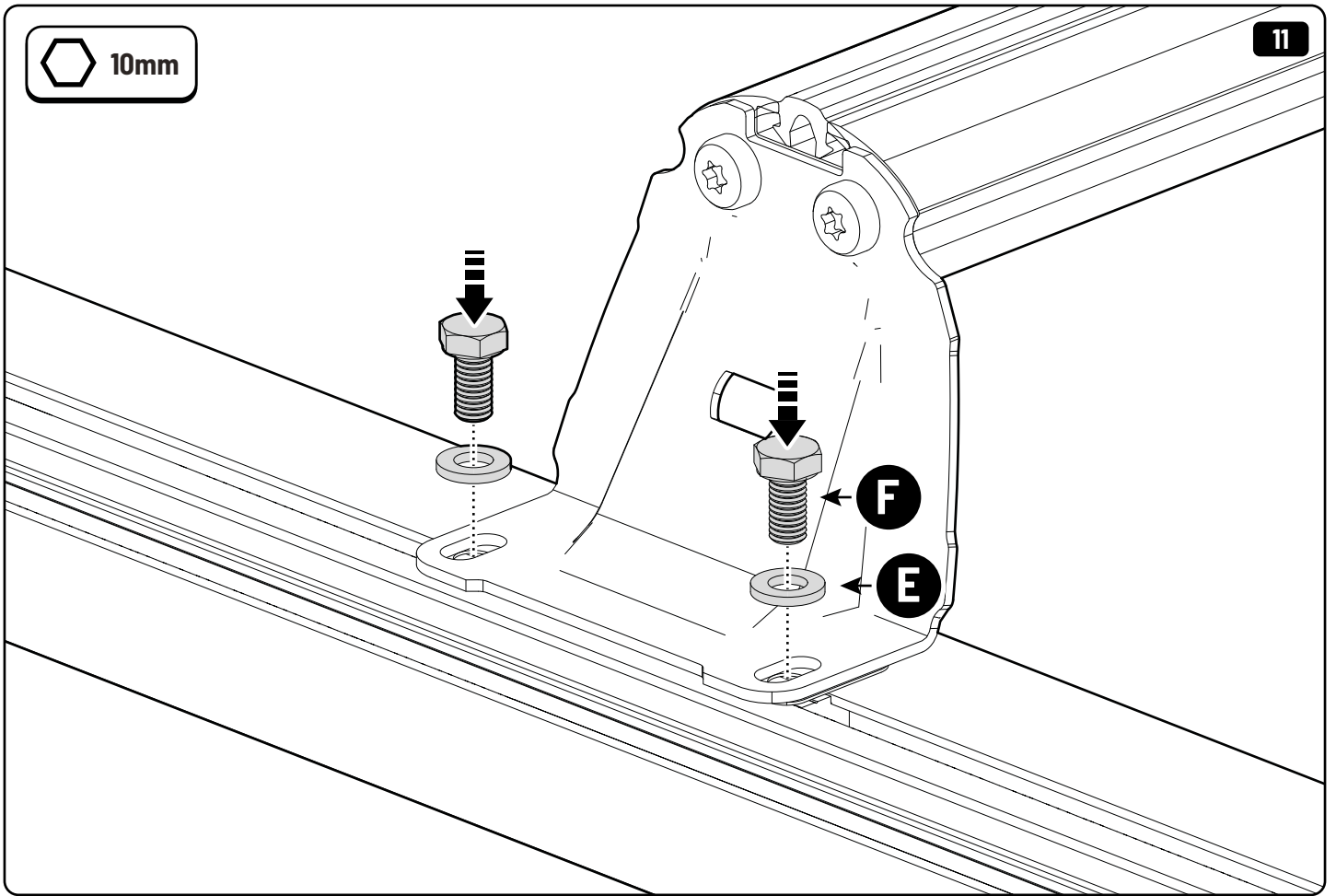
7

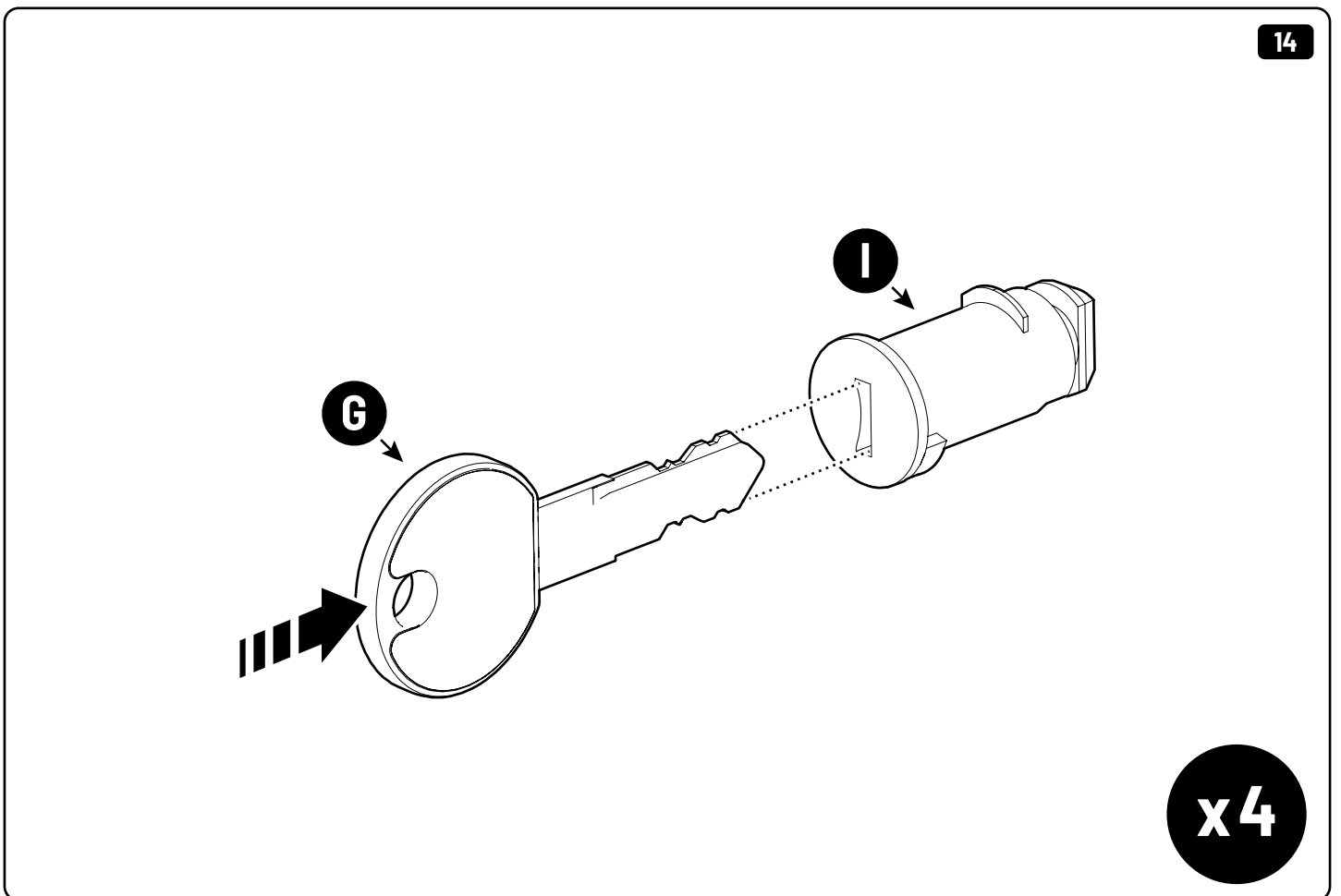
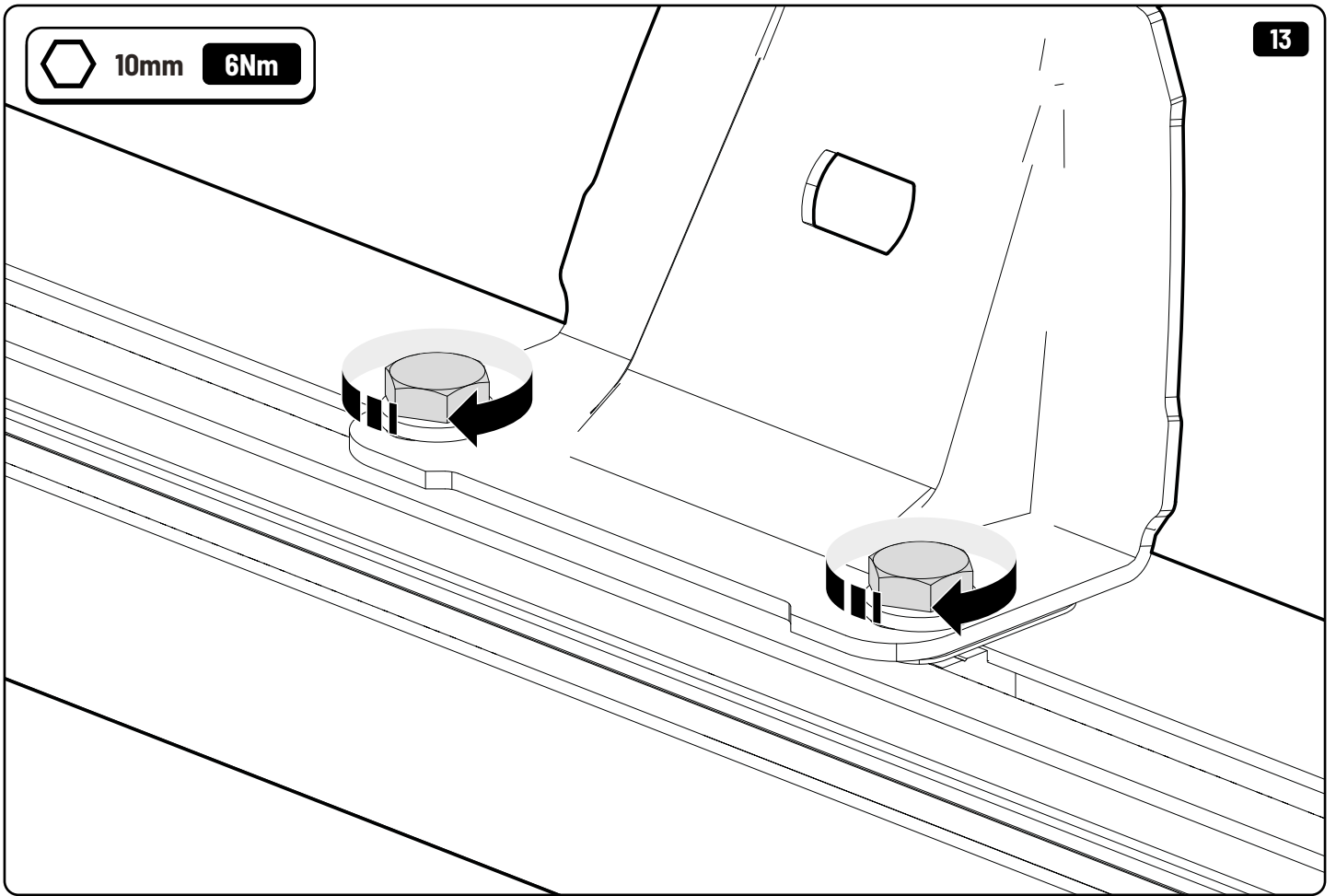


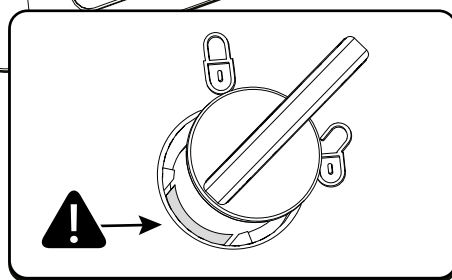
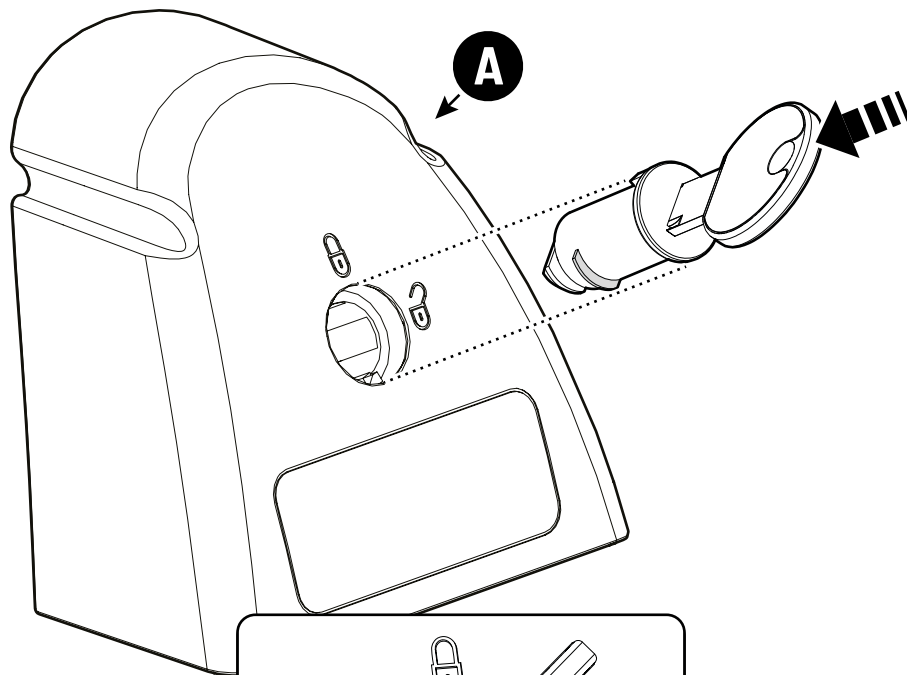
8



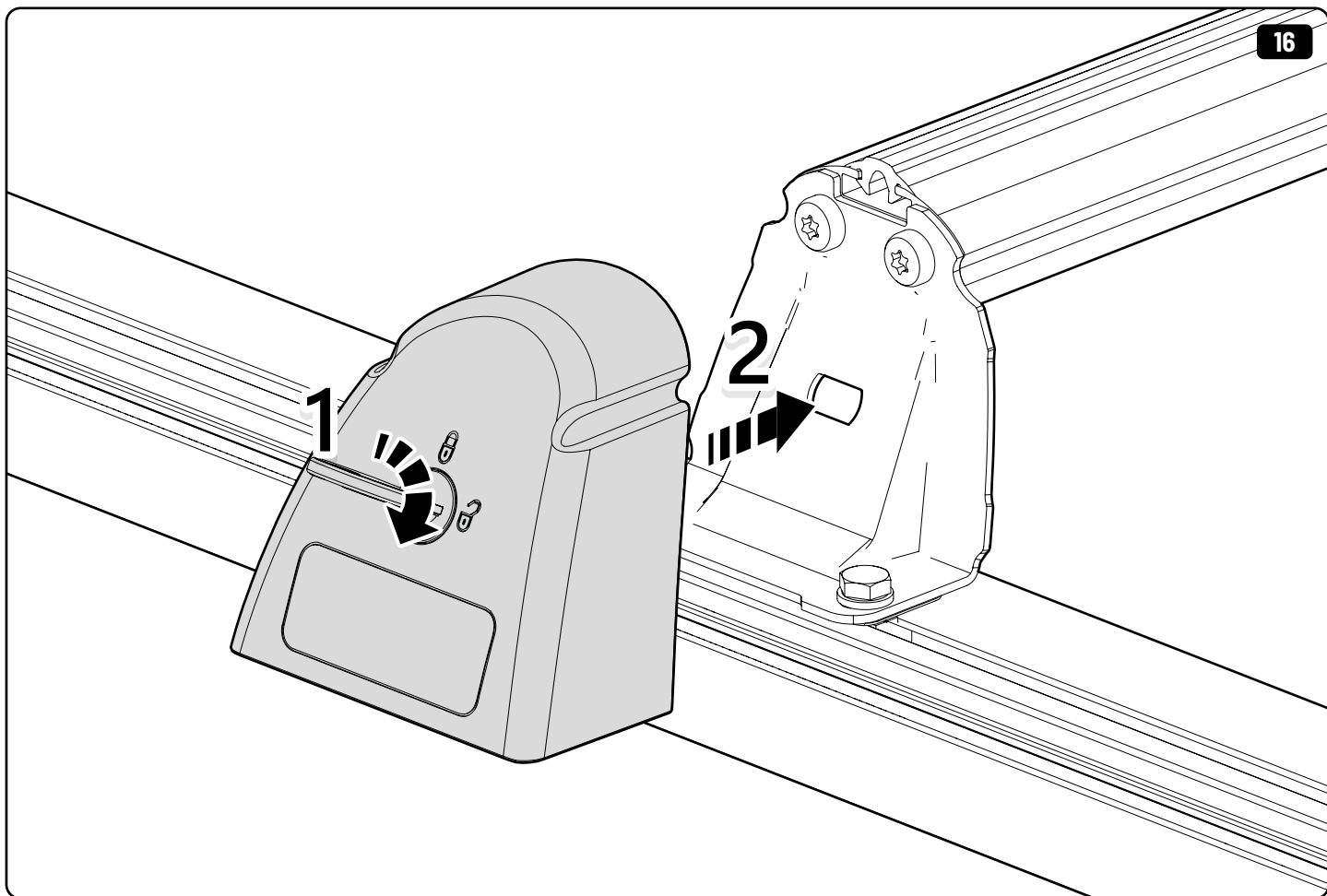


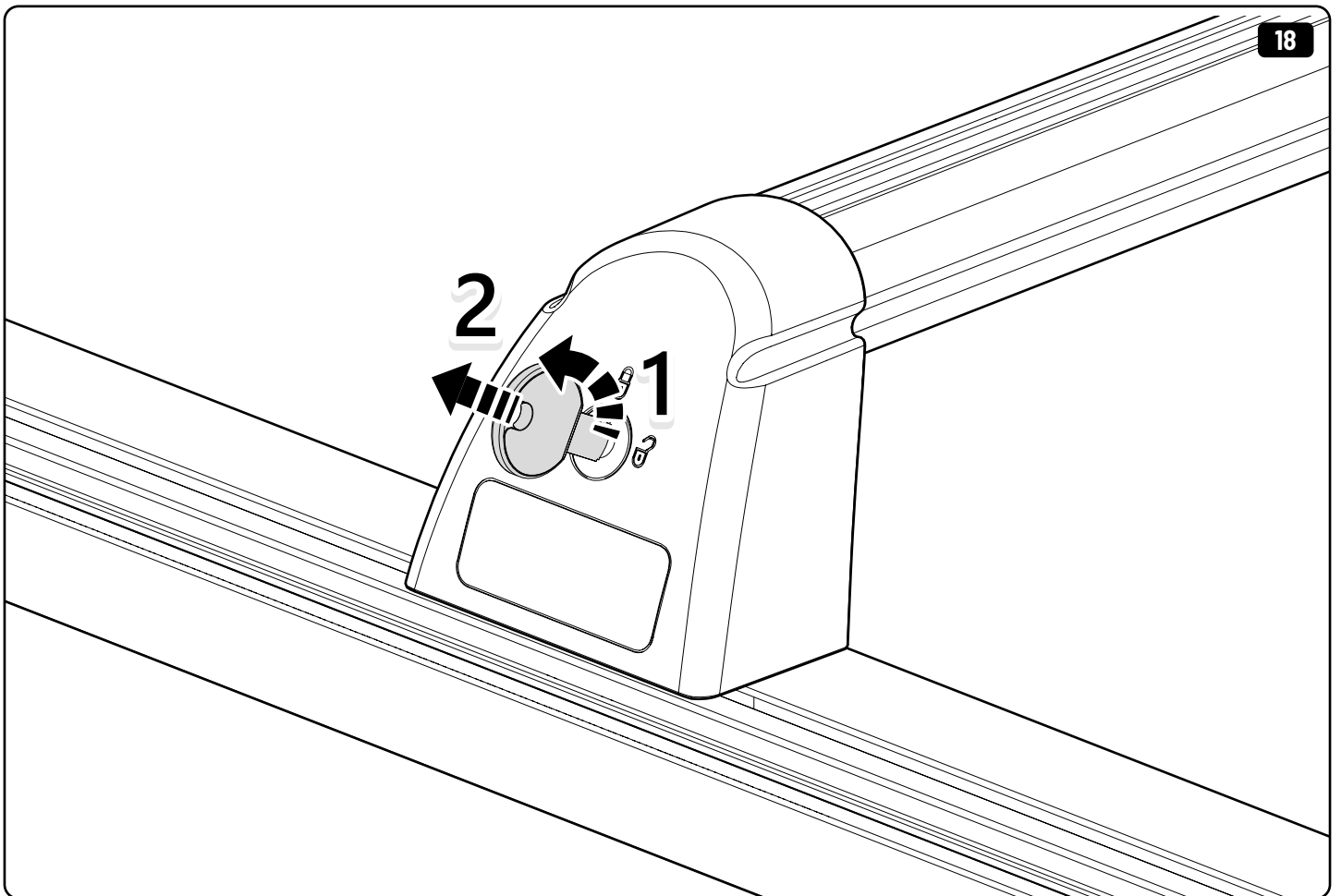
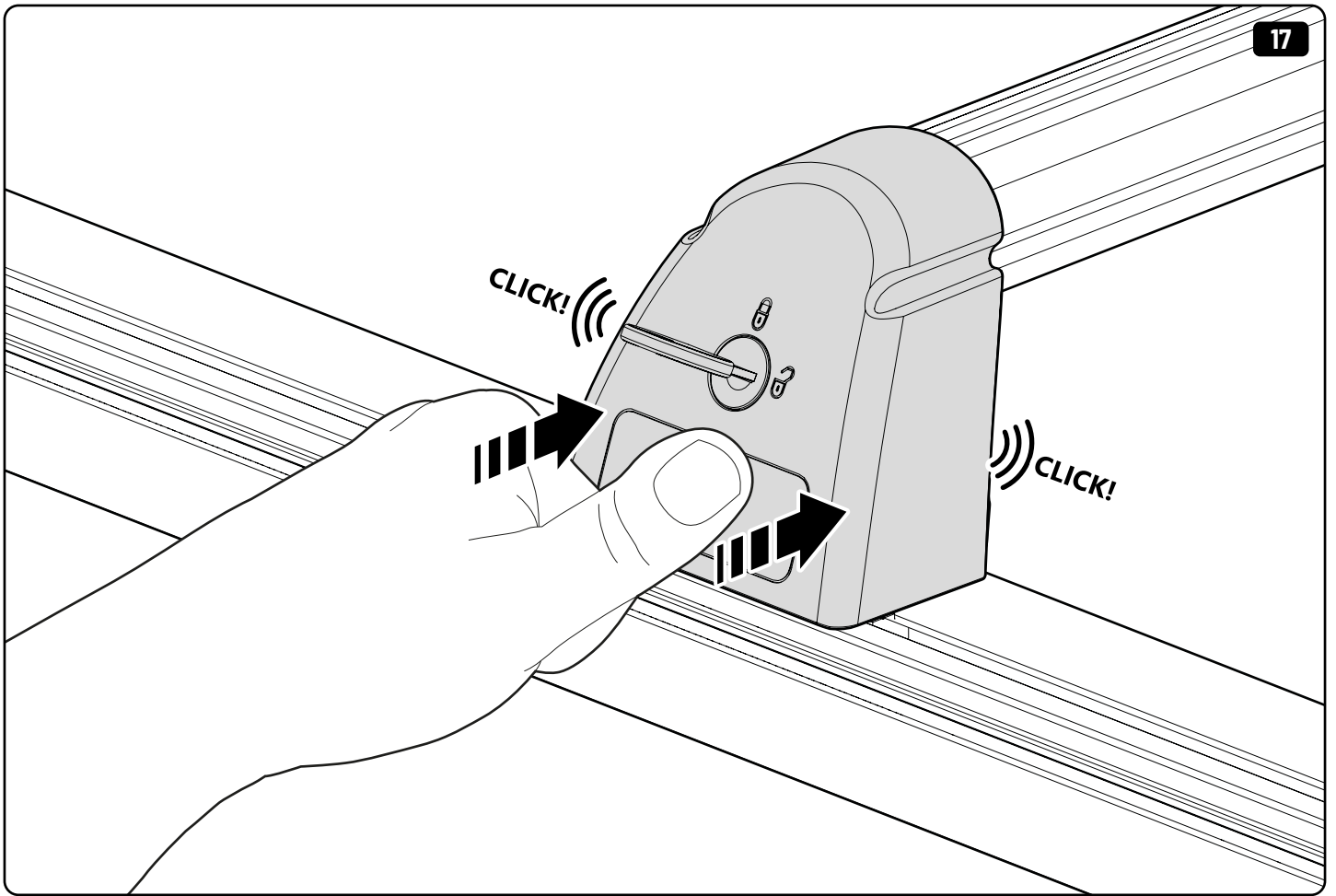


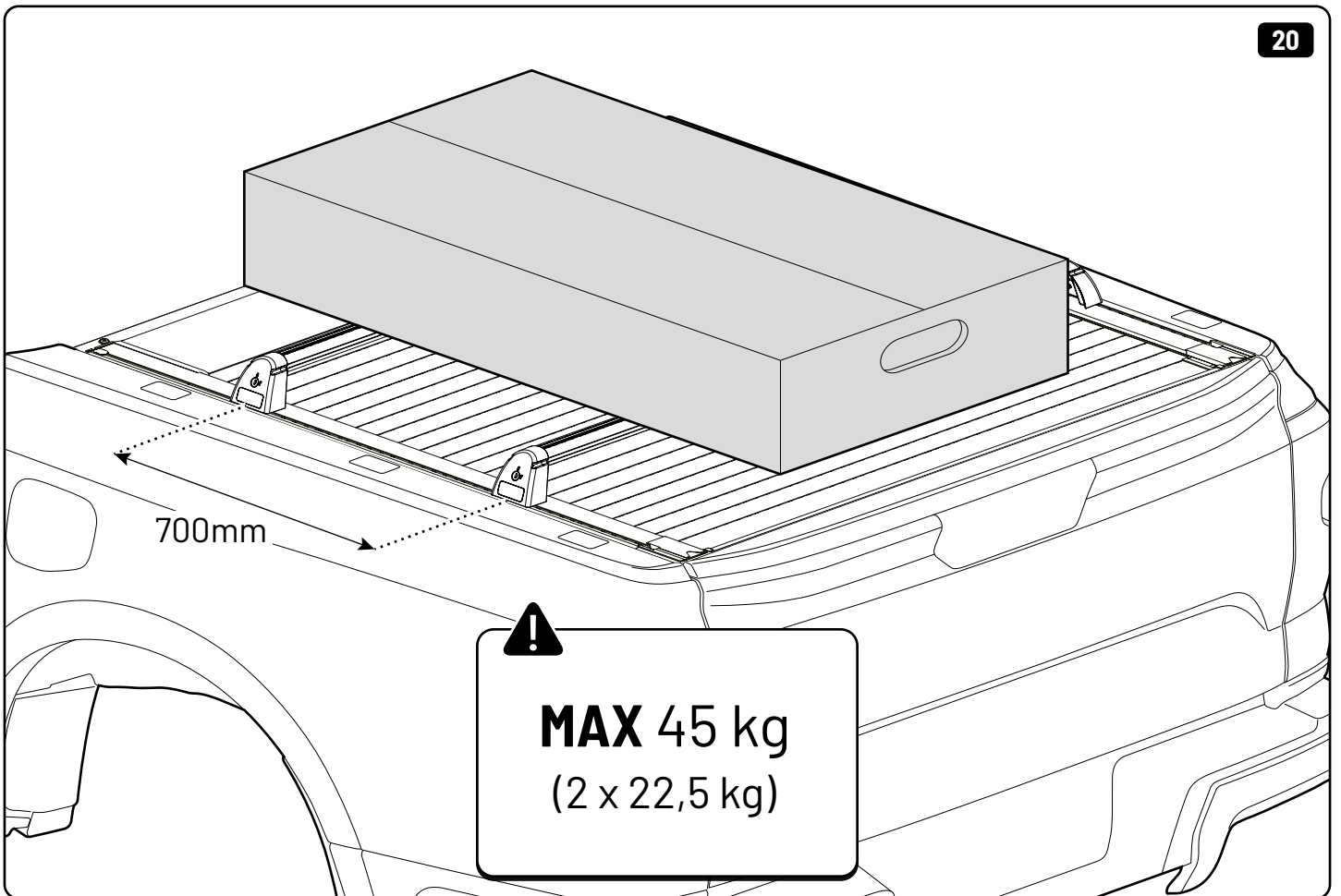
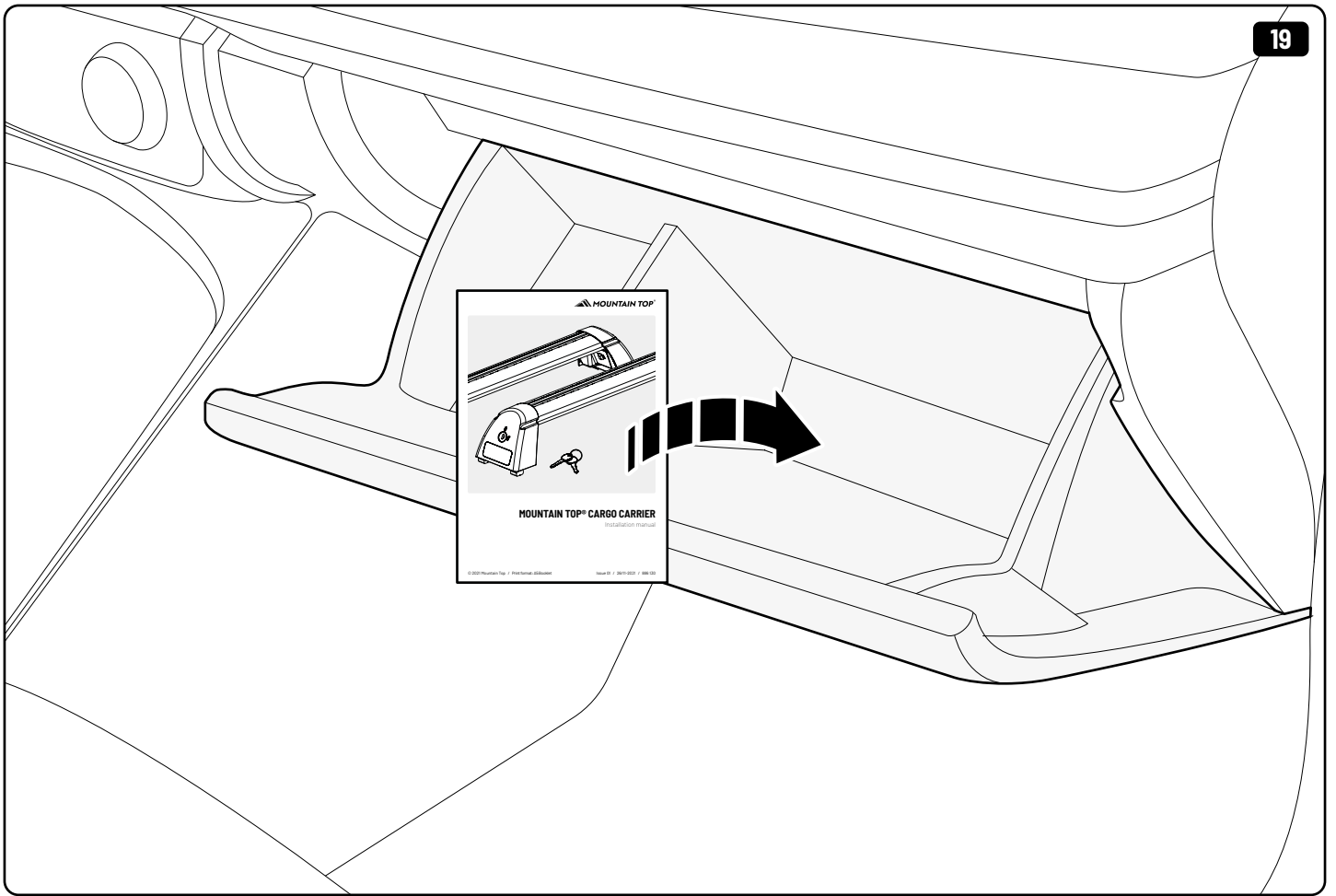


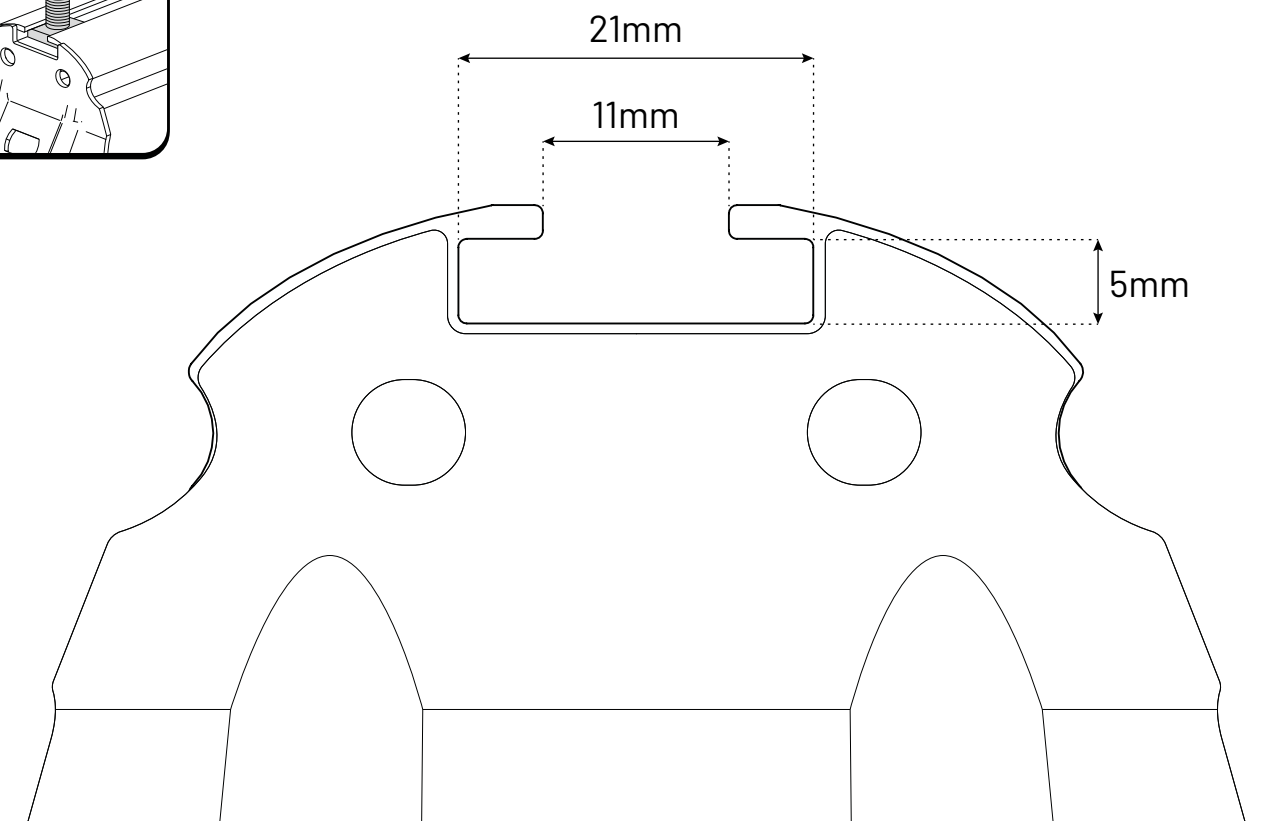
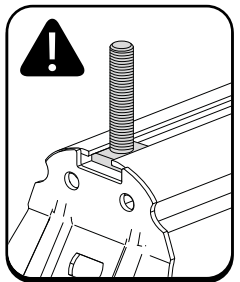
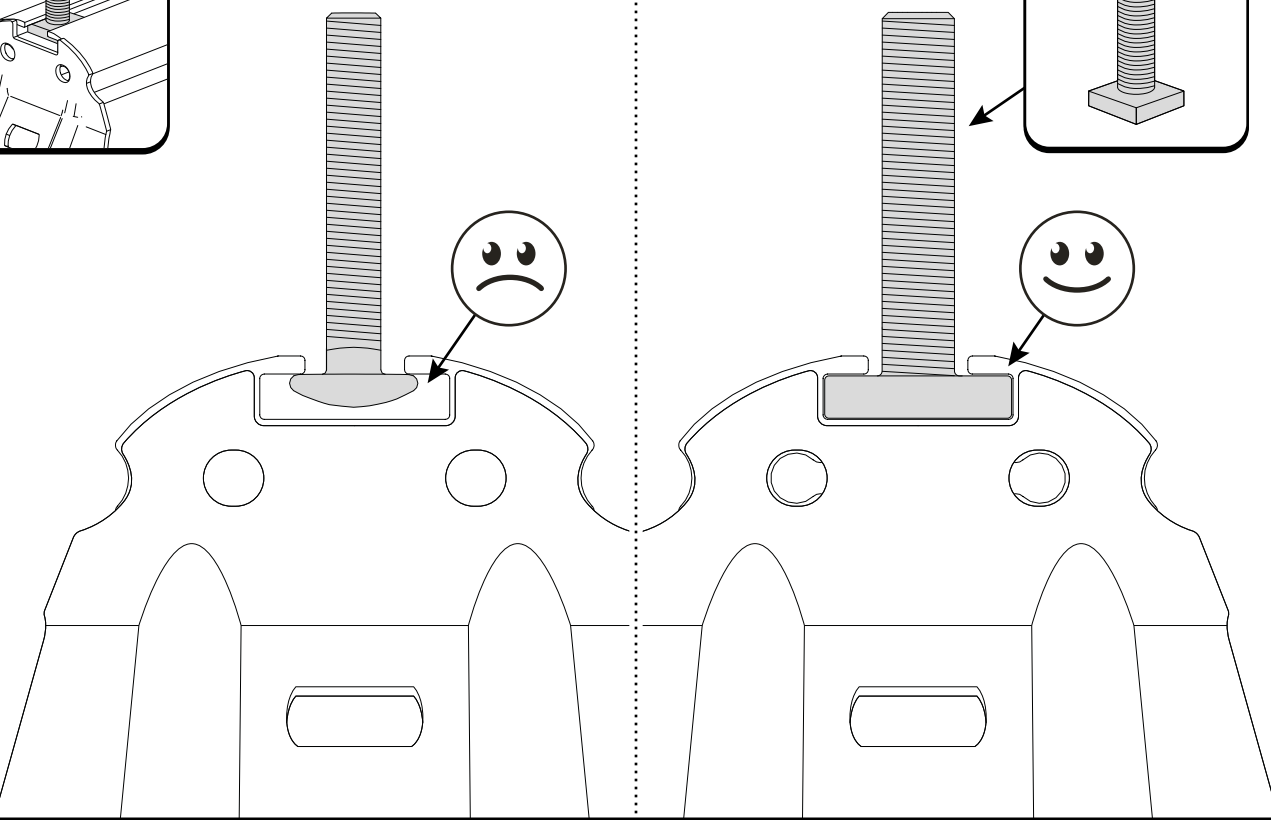
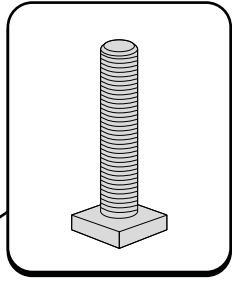
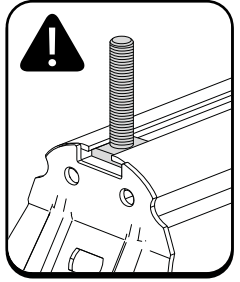


x4











Customer Service +45 4810 2950 (08:00 - 16:00 CET)
Support info@mountaintop.dk
Website www.mountaintop.dk
Address Pedersholmparken 10, 3600 Frederikssund, Denmark

Part number (s)	Model / Year	Cab type (s)	Installation time	Weight
CCE FO10 HB01	Ford Ranger / 2022 -> TD	All	30 minute(s)	4 kg
VP1WZ 9955106 A (AMP1WJ 550B42 BA)	Ford Ranger / 2022 -> TD	All	30 minute(s)	4 kg
CCE VW10 HB01	Volkswagen / 2022 -> TD	All	30 minute(s)	4 kg

GB Installation manual	S Monteringsanvisning	D Einbauanleitung
SF Asennusohje	E Instrucciones de montaje	CZ Návod k instalaci
F Notice de montage	H Szerelési utasítás	I Istruzioni di montaggio
PL Instrukcja montażu	P Instruções de instalação	GR Οδηγίες Εγκατάστασης
NL Installatie-instructies	RUS Инструкция по установке	DK Monteringsvejledning
TR Montaj Talimatı	N Monteringsveiledning	RO Instructiuni de instalare